



Patents

- ZL 99 2 48179.1 (China)
- US 6299225 B1 (U.S.A.)
- GB2355753 (UK)
- 166716 (Taiwan)

Statement

The GK300 series electric strikes can be used on either 12 or 24 VDC, and the GK300 series electric strikes are easy changeable between fail-safe and fail-secure in the field. Therefore, with special designed mechanism, these electric strikes are ideally suited and meet the varying needs of our customers.

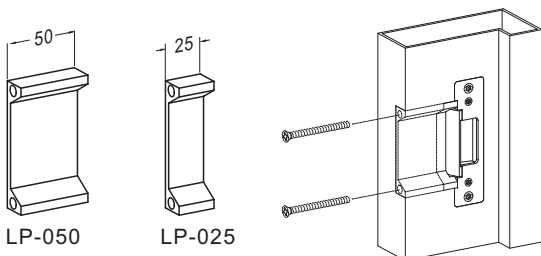
The GK300 series electric strikes (ANSI-sized) are designed to use with locksets (ex. spring latch), whose Max. latch throw is 15mm for inswing doors. The units are designed to be used with on most hollow metal frames and aluminum frames. Stainless steel plate ensures strength and long life.

Specification

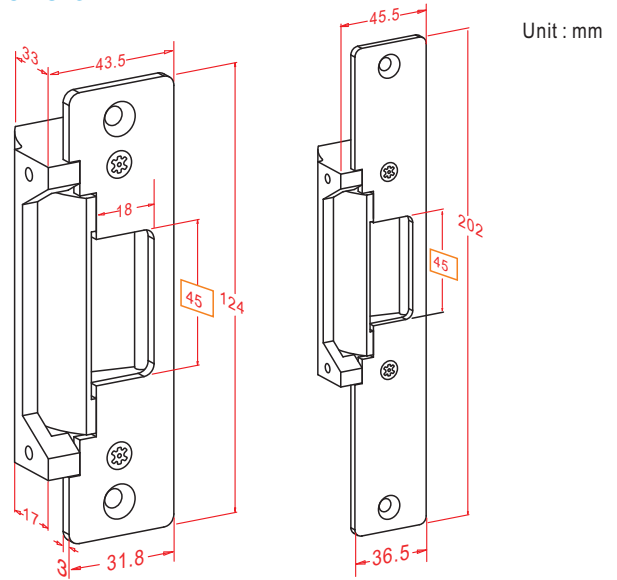
- Operating Voltage: 12/24VDC
- Current Draw: 0.25 A/12VDC; 0.15 A/24 VDC (at temperature 20°C)
- Operating Temperature: -10°C~45°C
- Humidity: 0~95% non-condensing.
- Material: Stainless Steel Faceplate, Aluminum Alloy Case
- Tested over 1,000,000 cycles.
- Net Weight: GK300-1224: 238g, GK310-1224: 243g
GK301-1224: 307g, GK311-1224: 312g
GK350-1224: 220g

Optional Accessory

Lip extension brackets for the wide jamb.

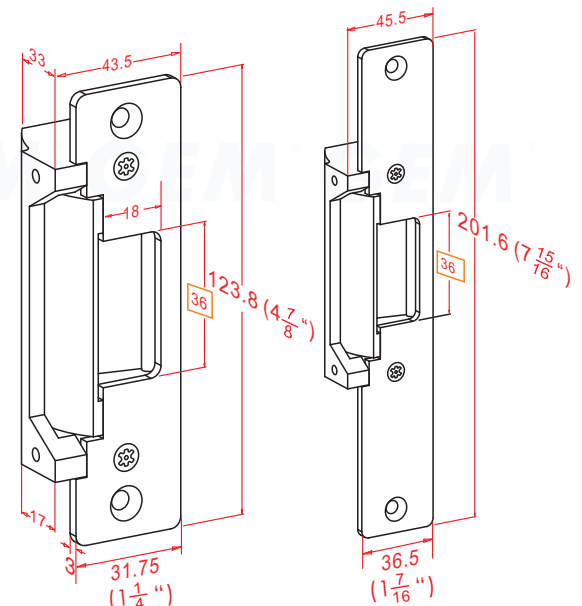


Dimension



GK300-1224

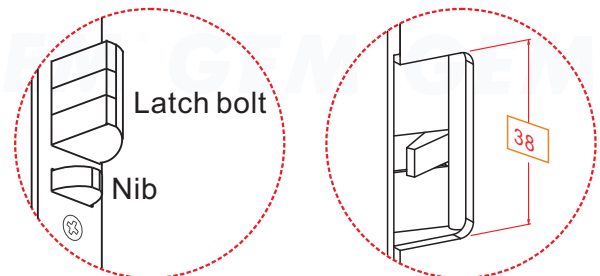
GK301-1224



GK310-1224

GK311-1224

What's Latch Bolt Lock ?



A latch bolt lock is a lock comprising a latch bolt and a nib. When the door is closed, the nib makes the latch a dead bolt. The latch bolt locks into the strike keeper of the door frame to make sure that it is closed. Latch-bolt locks are available in **GK310-1224** and **GK311-1224** models.

GIANNI INDUSTRIES, INC.

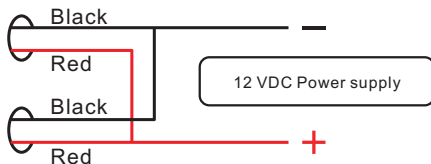
No. 13, Zhongxing Rd., Tucheng Dist., New Taipei City 236, Taiwan (R.O.C.)
Tel: 886-2 2267 7986 / Fax: 886-2 2267 9876
E-Mail: info@gianni.com.tw
Website: gianni.tw

Model Comparison List

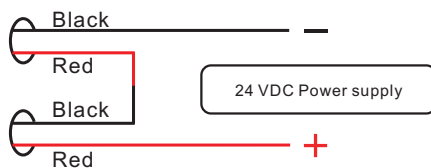
Model	Door frame	Application Lockset	Installation	Optional Accessory
GK300-1224	Hollow metal frames	Latch bolt lock	Mortise Mount	LP-025, LP-050
GK310-1224	Hollow metal frames	Latch bolt lock	Mortise Mount	LP-025, LP-050
GK301-1224	Wooden frames	Latch bolt lock	Mortise Mount	LP-025, LP-050
GK311-1224	Wooden frames	Latch bolt lock	Mortise Mount	LP-025, LP-050
GK350-1224	Hollow metal frames	Night latch	Surface Mount	

Voltage switchable

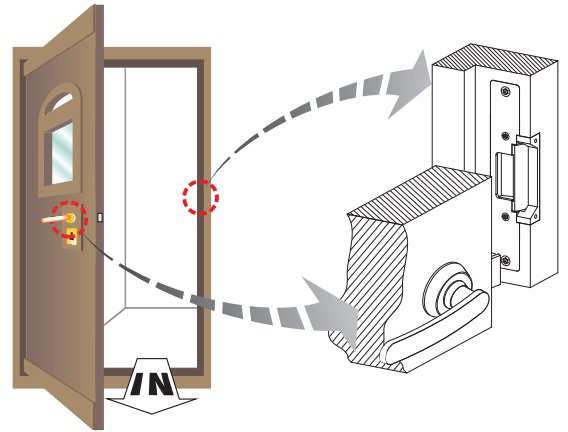
For 12 VDC Optional



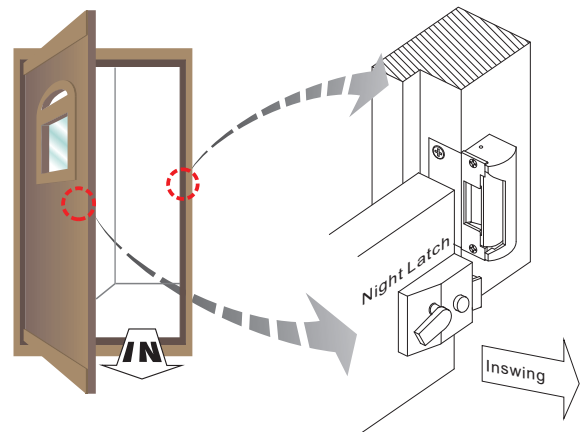
For 24 VDC optional



GK301/311-1224 Wooded Frame Mortise Mount

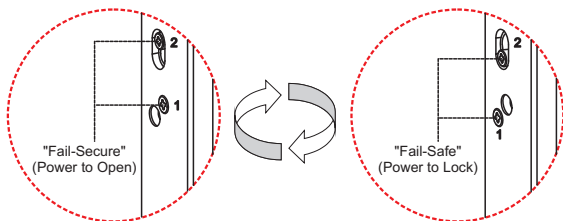


GK350-1224 Wooden Frame Surface Mount



Version Changeable

The GK-300 electric strike can easily be changed between fail-safe and fail-secure modes. This unique design enables distributors to reduce inventory and still meet varying needs and requirements of end users.



Long life solenoids

Special solenoids designed for strength and long life guarantee a lifetime of at least 1,000,000 cycles.

CSIRO Fire-resistance Certificate

This product, its materials and assemblies have been proven to be fire resistant in accordance with the test procedures of Sponsored Investigation FSV 0609 and the terms of clause 4.1 of Australian Standard 1905, Part 1-1997.

Warranty

The product is warranted against defects in material and workmanship while used in normal service for a period of 3 years from the date of sale to the original customer. The GEM policy is one of continual development and improvement; therefore GEM reserves the right to change specifications without notice.

GIANNI INDUSTRIES, INC.