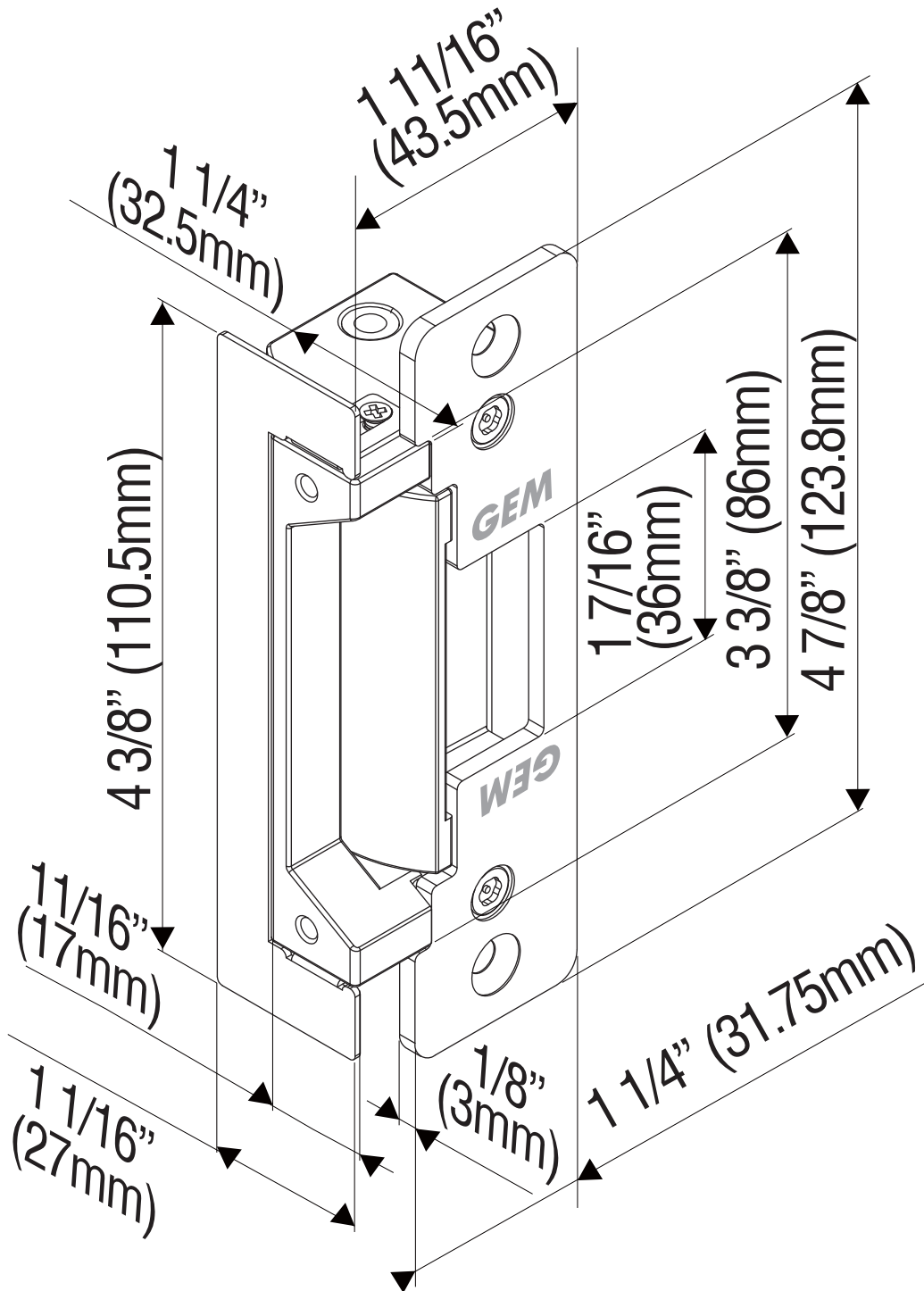


# Dimension

## GK310



All dimensions in mm