

## Cabinet Lock (*AST-CL300S Series*)

AST-CL300S Cabinet Lock with keys is designed for Cabinets, Drawers, Display cases and Sliding Doors.

The lock provides a fail-secure operations version with the key operation and also builds in lock position contact for monitoring.



## Specifications

	AST-CL300S	AST-CL300SL
<b>Function</b>		
Lock Type	Fail Secure	
Lock status Signal	No	YES
Holding Force	300Kg	
Output	Dry Contact Output	
<b>General</b>		
Power Supply	DC12V / 300mA	
Working Environment	-10°C to 50°C 10% to 90% RH	
Color	Metal Silver and Black	
Dimensions (H x W x D):	134mm x 30mm x 28mm (Body) 28.5mm x 33mm x 21.5mm (L shape Mount)	

### With key cylinder installation diagram ( Suitable for AST-CL300S / AST-CL300SL )

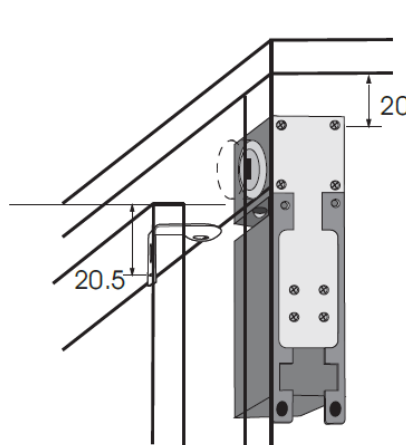
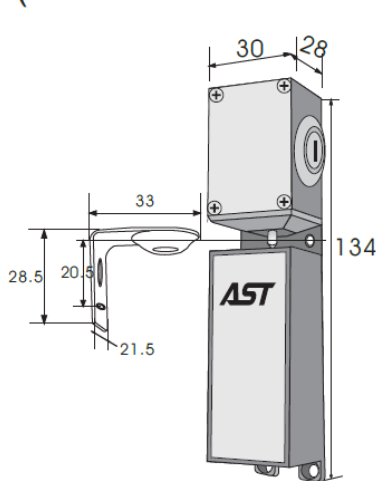


Figure 4- Sliding Doors

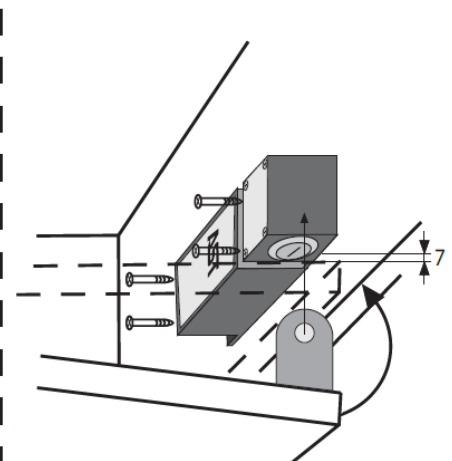


Figure 5- Swinging Doors